

Cable feed-through plates - MC-3/7-MULTI-67-PVO-BK - 1415235

Please be informed that the data shown in this PDF Document is generated from our Online Catalog. Please find the complete data in the user's documentation. Our General Terms of Use for Downloads are valid (<http://phoenixcontact.com/download>)



Cable feed-through plates, no. of conductors: 7, length: 222 mm, width: 92 mm, height: 43 mm, external cable diameter: 1x 30 mm ... 60 mm , color: black

Why buy this product

- Oil-resistant according to UL 157



Key Commercial Data

Packing unit	1 STK
GTIN	
GTIN	4055626039411
Weight per Piece (excluding packing)	278.900 g
Weight per piece (including packing)	278.900 g
Custom tariff number	39269097
Country of origin	Finland

Technical data

Dimensions

Length	222 mm
Width	92 mm
Height	43 mm
Drill hole distance, horizontal	62 mm
Drill hole distance, vertical	194 mm
External cable diameter	1x 30 mm ... 60 mm
	4x 8 mm ... 16 mm
	2x 24 mm ... 54 mm

Ambient conditions

Degree of protection	IP66 (Minimum sheet thickness \geq 2.5 mm)
	IP67 (Minimum sheet thickness \geq 2.5 mm)

Cable feed-through plates - MC-3/7-MULTI-67-PVO-BK - 1415235

Technical data

Ambient conditions

Ambient temperature (operation)	-40 °C ... 100 °C
---------------------------------	-------------------

General

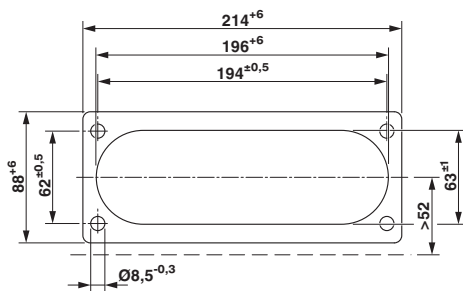
No. of conductors	7
Material	TPE-SEBS
	galvanized sheet steel ()
Flammability rating according to UL 94	V0
Color	black
Torque	1.5 Nm ... 2 Nm (Mounting screws)
Note	incl. mounting screws
Installation instructions	M8 mounting screw, torque: 1.5 - 2.0 Nm, SW5 Allen key
	<p>The mounting screws included should be used for assembly.</p> <p>Assembly steps:</p> <ol style="list-style-type: none"> 1) Fix Multigates with the mounting screws provided (observe torque) 2) Make a hole in the membrane (with a screwdriver) or cut off the tip of the cone 3) Guide the cable through the opening (from the outside). Withdraw the cable approximately 20 mm (to improve strain relief).

Standards and Regulations

Flammability rating according to UL 94	V0
--	----

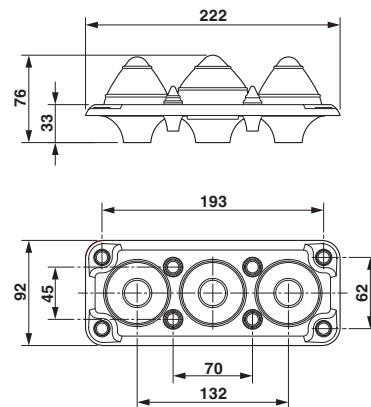
Drawings

Dimensional drawing



Wall cutout drawing

Dimensional drawing



Dimensional drawing

Classifications

eCl@ss

eCl@ss 5.1	23110102
eCl@ss 6.0	23110102

Cable feed-through plates - MC-3/7-MULTI-67-PVO-BK - 1415235

Classifications

eCl@ss

eCl@ss 8.0	27409208
eCl@ss 9.0	27400569

ETIM

ETIM 5.0	EC001004
----------	----------

Phoenix Contact 2017 © - all rights reserved
<http://www.phoenixcontact.com>