

# Cable feed-through plates - MC-35-MULTI-65-PV-LG - 1422350

Please be informed that the data shown in this PDF Document is generated from our Online Catalog. Please find the complete data in the user's documentation. Our General Terms of Use for Downloads are valid (<http://phoenixcontact.com/download>)



Cable feed-through plates, no. of conductors: 35, length: 222 mm, width: 92 mm, height: 17.6 mm, external cable diameter: 2x 6 mm ... 10 mm , color: gray

## Key Commercial Data

Packing unit	1 STK
GTIN	
GTIN	4055626301853
Weight per Piece (excluding packing)	285.300 g
Weight per piece (including packing)	299.900 g
Custom tariff number	39269097
Country of origin	Finland

## Technical data

### Dimensions

Length	222 mm
Width	92 mm
Height	17.6 mm
Drill hole distance, horizontal	62 mm
Drill hole distance, vertical	193 mm
External cable diameter	2x 6 mm ... 10 mm
	14x 7 mm ... 12 mm
	16x 10 mm ... 14 mm
	2x 12 mm ... 18 mm
	1x 17 mm ... 32 mm

### Ambient conditions

Degree of protection	IP65 (Minimum sheet thickness >= 2.5 mm)
Ambient temperature (operation)	-40 °C ... 100 °C

# Cable feed-through plates - MC-35-MULTI-65-PV-LG - 1422350

## Technical data

### General

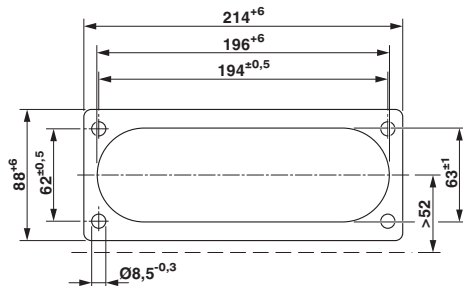
No. of conductors	35
Material	TPE-SEBS
	galvanized sheet steel ( )
Flammability rating according to UL 94	V0
Color	light gray
Torque	1.5 Nm ... 2 Nm (Mounting screws)
Note	incl. mounting screws
Installation instructions	M8 mounting screw, torque: 1.5 - 2.0 Nm, SW5 Allen key
	<p>The mounting screws included should be used for assembly.</p> <p>Assembly steps:</p> <ol style="list-style-type: none"> <li>1) Fix Multigates with the mounting screws provided (observe torque)</li> <li>2) Make a hole in the membrane (with a screwdriver) or cut off the tip of the cone</li> <li>3) Guide the cable through the opening (from the outside). Withdraw the cable approximately 20 mm (to improve strain relief).</li> </ol>

### Standards and Regulations

Flammability rating according to UL 94	V0
--	----

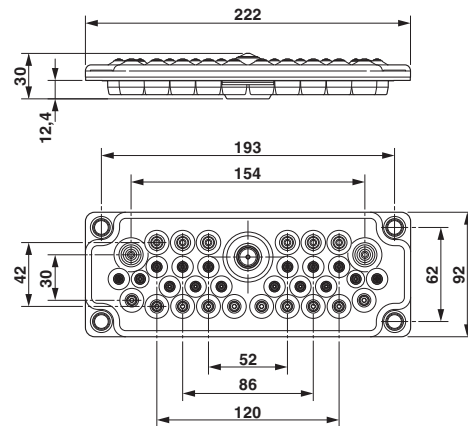
## Drawings

Dimensional drawing



Wall cutout drawing

Dimensional drawing



Dimensional drawing

## Classifications

eCl@ss

eCl@ss 8.0	27409208
eCl@ss 9.0	27400569

## Cable feed-through plates - MC-35-MULTI-65-PV-LG - 1422350

### Classifications

ETIM

---

ETIM 5.0	EC001004
----------	----------

---

Phoenix Contact 2017 © - all rights reserved  
<http://www.phoenixcontact.com>